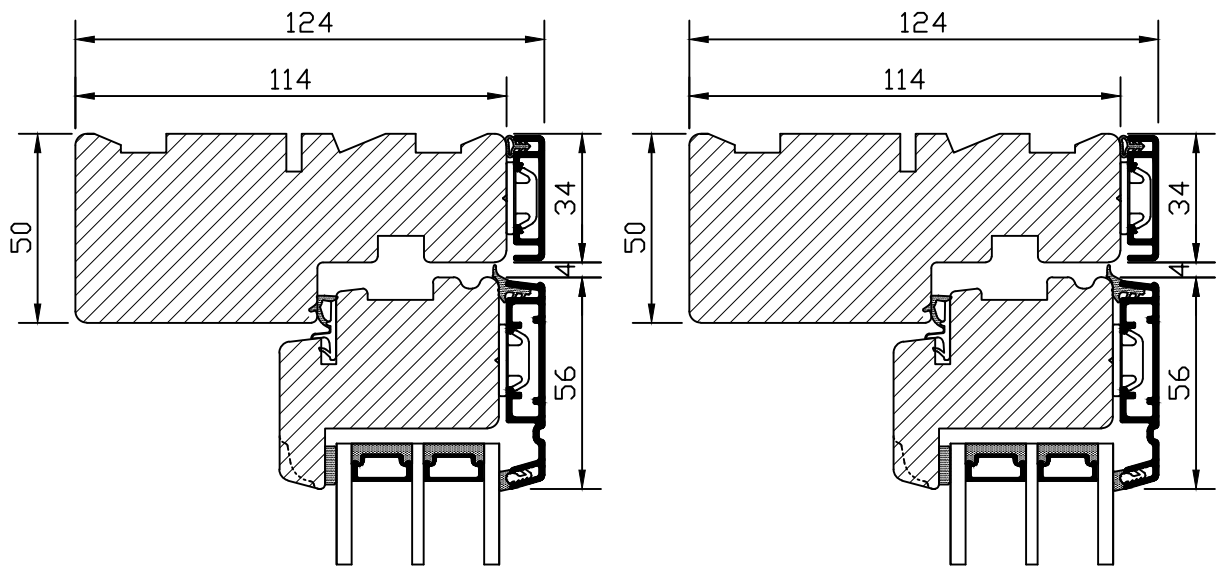
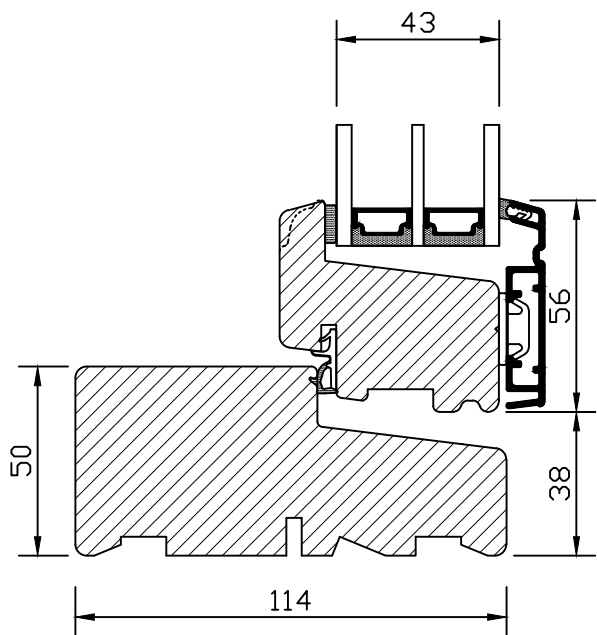


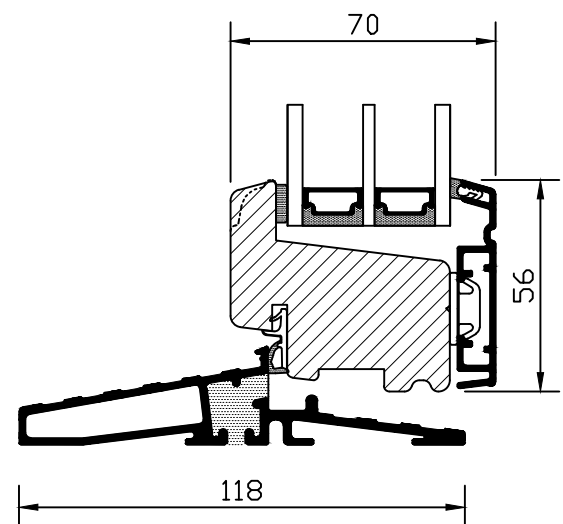
Window Door elevation (not to scale)



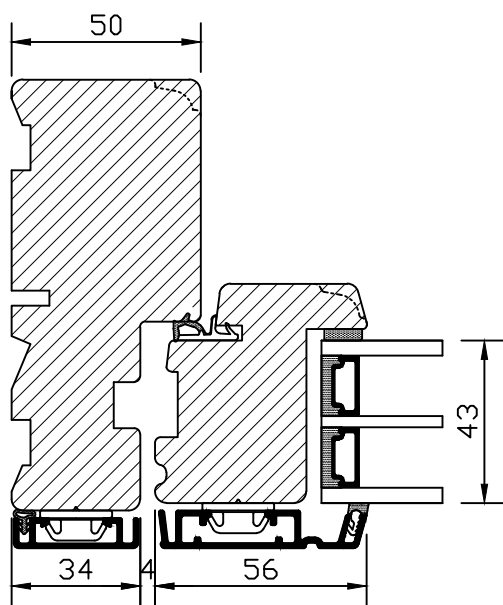
A



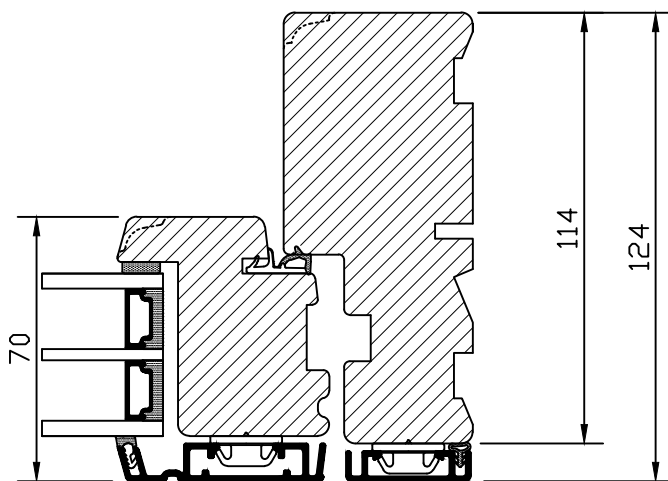
Vertical section A-A  
option with timber threshold


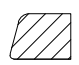


Vertical section A-A  
option with alu threshold



Horizontal section B-B



-  CLASSIC line Profile
  -  SOFT line Profile
- System Horizont

 **CARLSON**  
 Scandinavian Windows & Doors  
 Unit G11-G12, Calmount Park, Ballymount, Dublin. D12 F9P1  
 www.carlson.ie email: info@carlson.ie Tel: 01 462 5777

Drawing Title: Triple glazed, alu-clad window door  
 Scale: 1:2@A3 | Dwg No: WD-3 | Drawn By: ZB