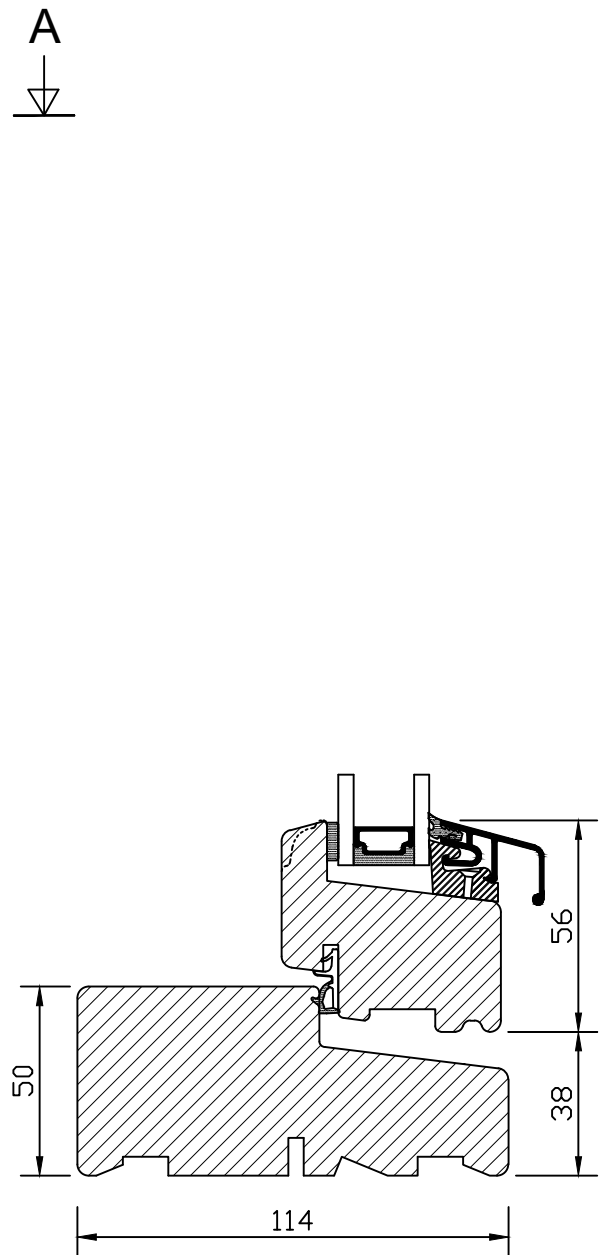
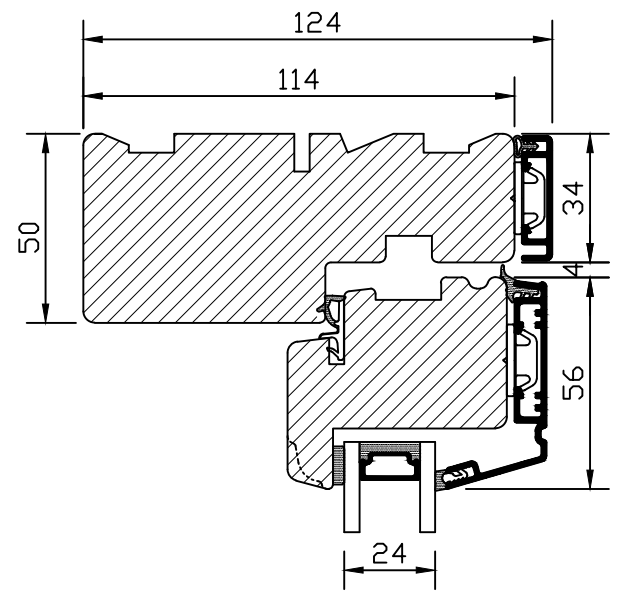
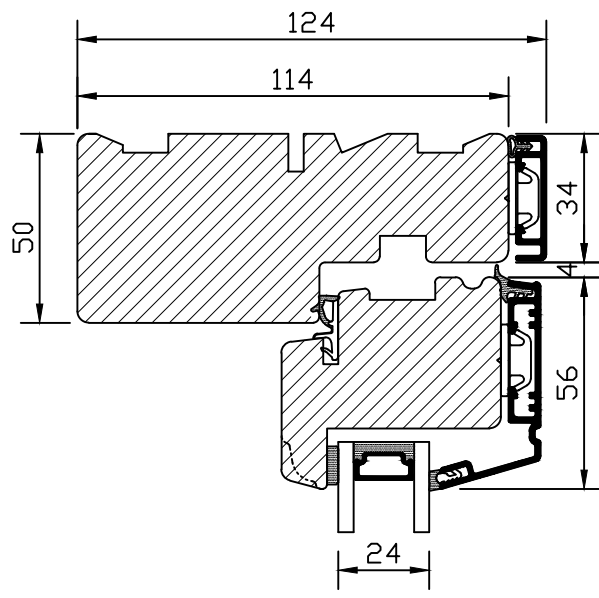
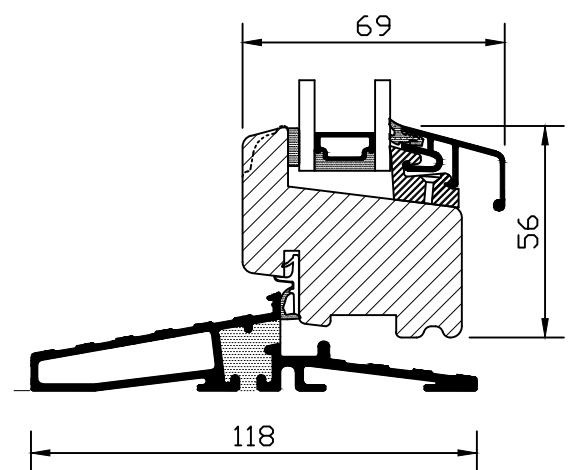


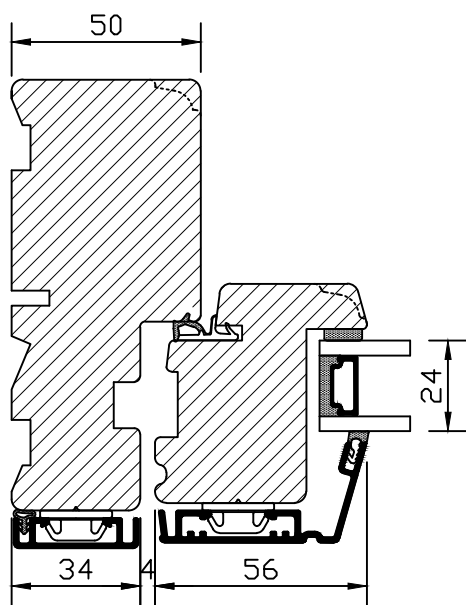
Window Door elevation (not to scale)



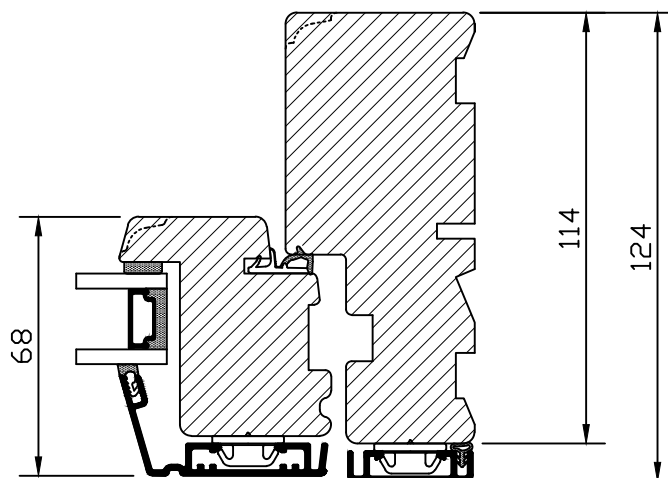
Vertical section B-B
option with timber threshold

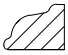
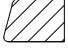


Vertical section B-B
option with alu threshold



Horizontal section A-A



-  CLASSIC line Profile
-  SOFT line Profile
- System Optiwood

CARLSON
 Scandinavian Windows & Doors
 Unit G11-G12, Calmount Park, Ballymount, Dublin. D12 F9P1
 www.carlson.ie email: info@carlson.ie Tel: 01 462 5777

Drawing Title: Double glazed, timber window door
 Scale: 1:2@A3 | Dwg No: SD-1 | Drawn By: ZB