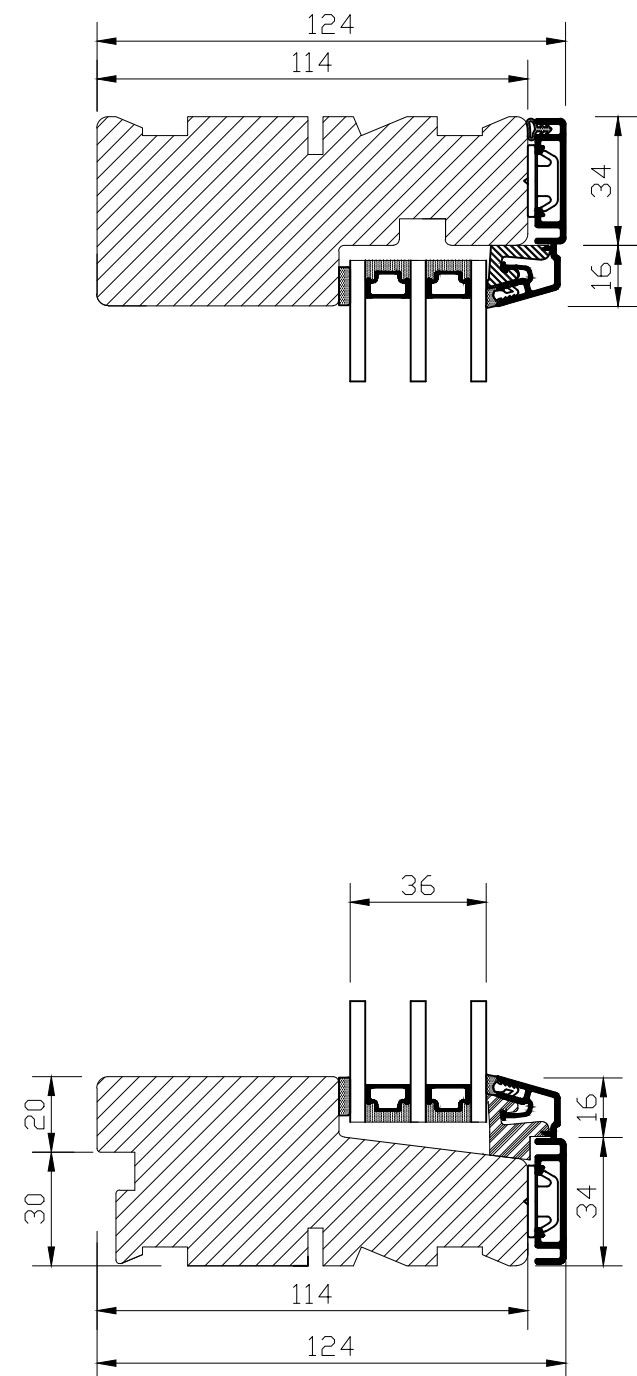
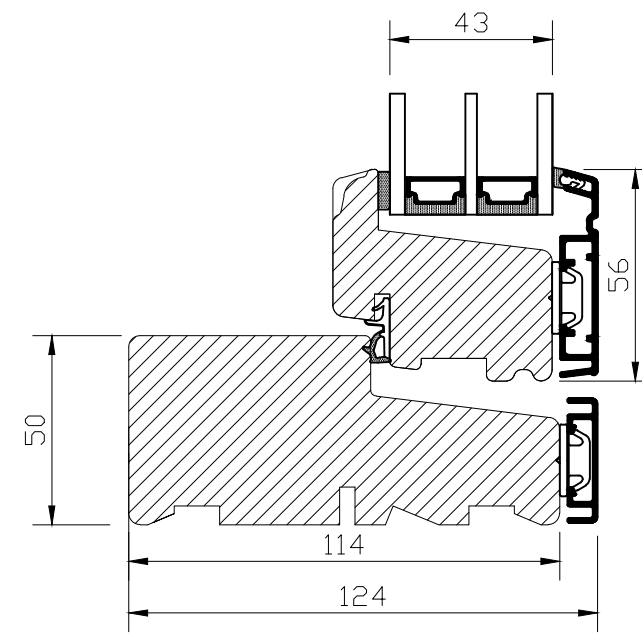
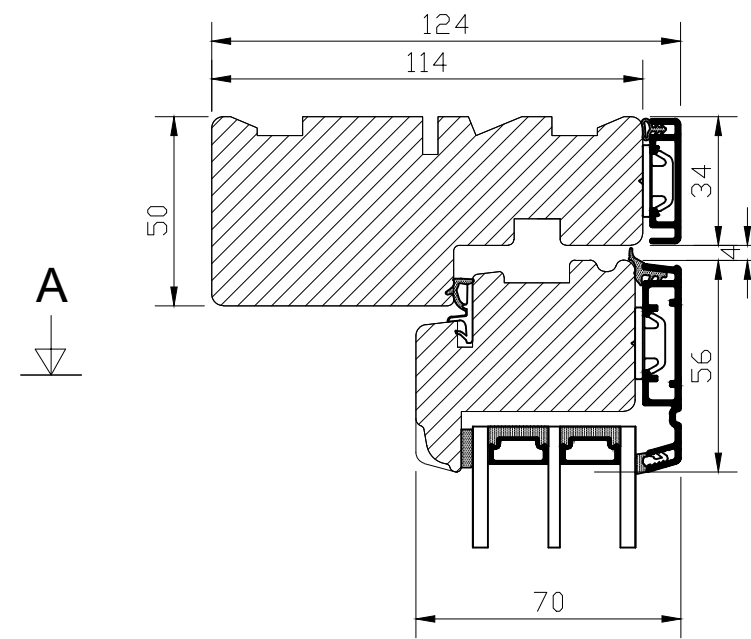
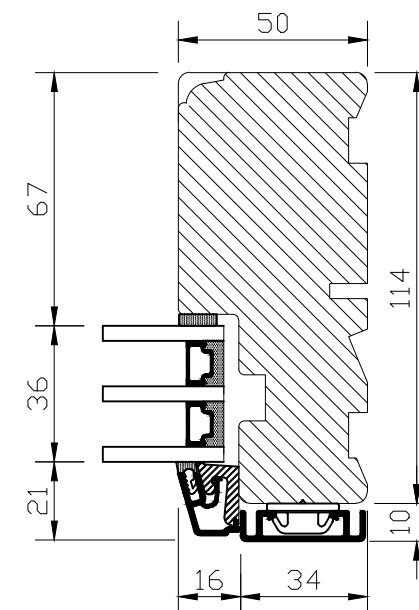
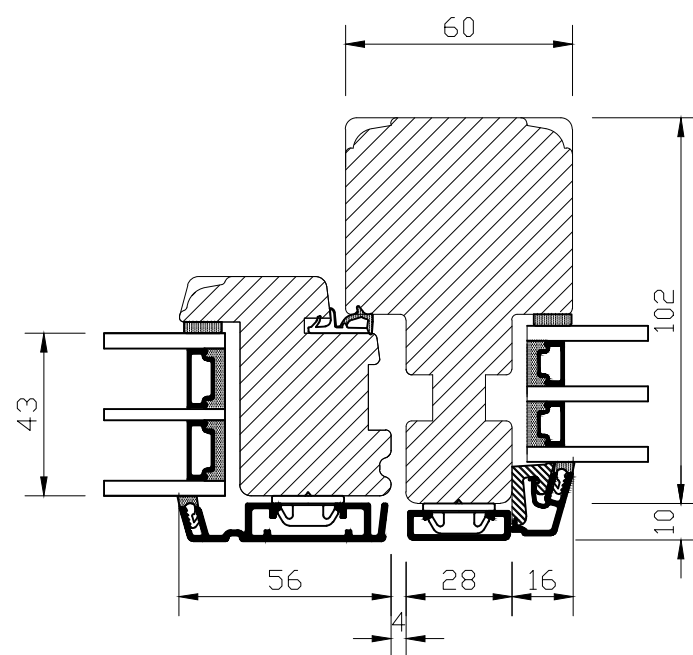
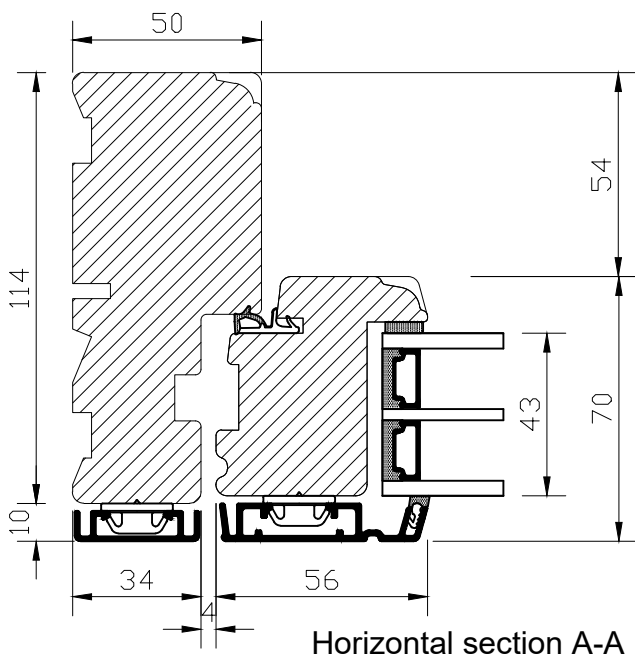



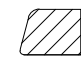
Window elevation (not to scale)



Vertical section B-B
Without window board groove.

Vertical section C-C
With window board groove.



-  CLASSIC line Profile
-  SOFT line Profile
- System HORIZONT



CARLSON
 Scandinavian Windows & Doors
 Unit G11-G12, Calmount Park, Ballymount, Dublin. D12 F9P1
 www.carlson.ie email: info@carlson.ie Tel: 01 462 5777

Drawing Title: Triple glazed, alu-clad, top guided & fixed
 Scale: 1:2@A3 Dwg No: TG-03 Drawn By: ZB