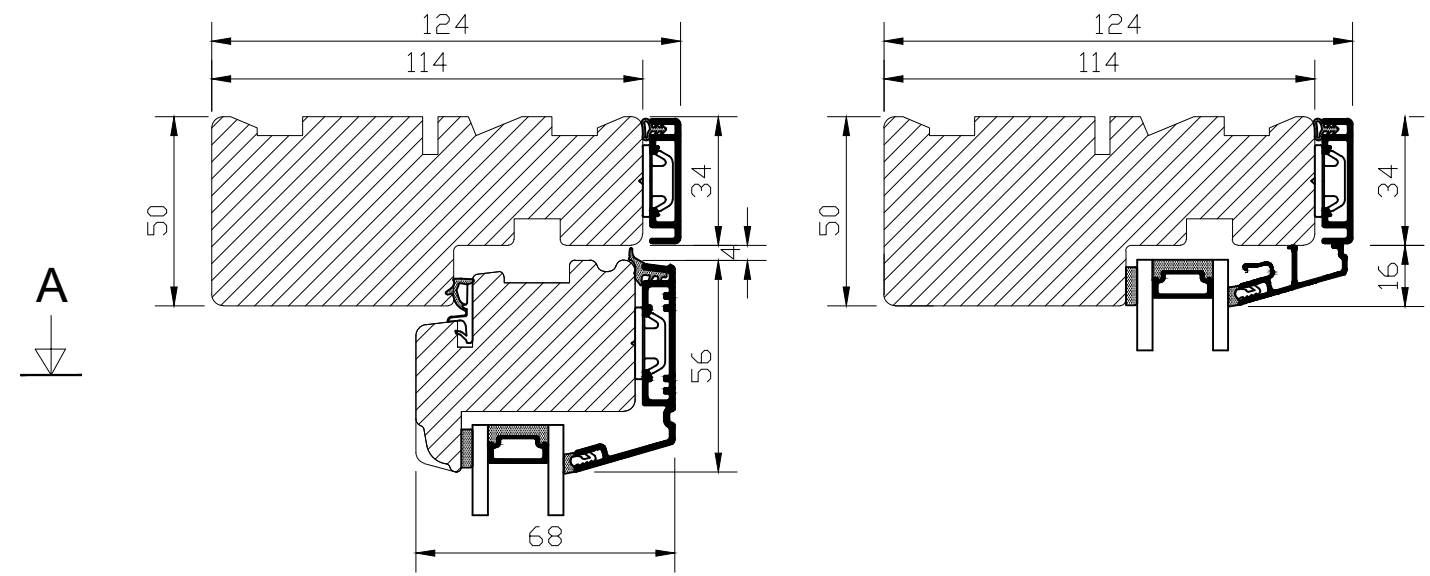
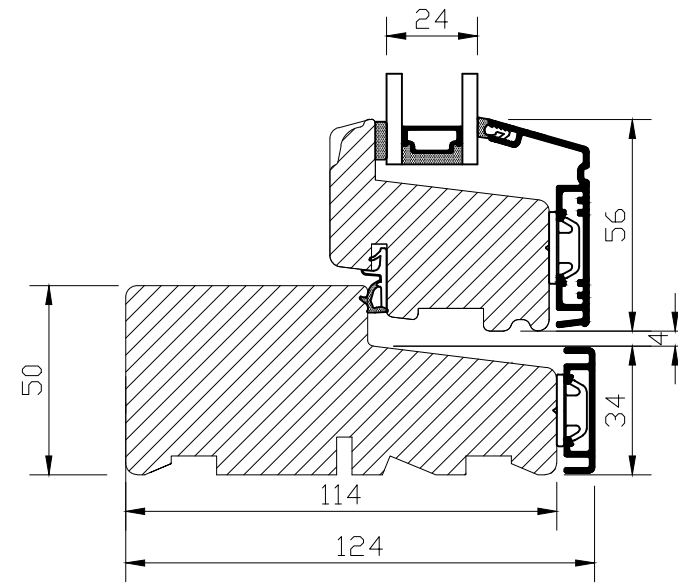


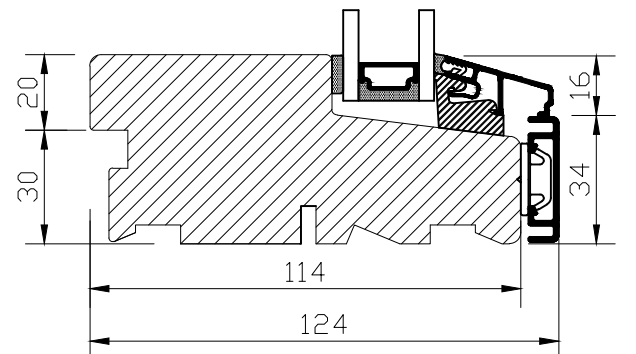
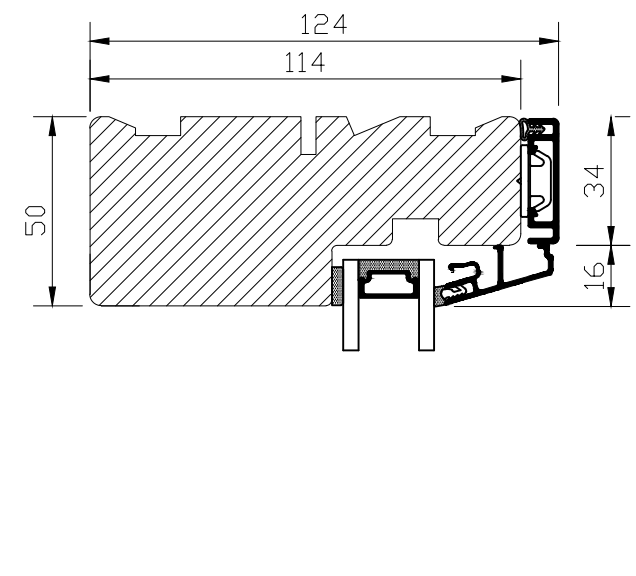
Window elevation (not to scale)



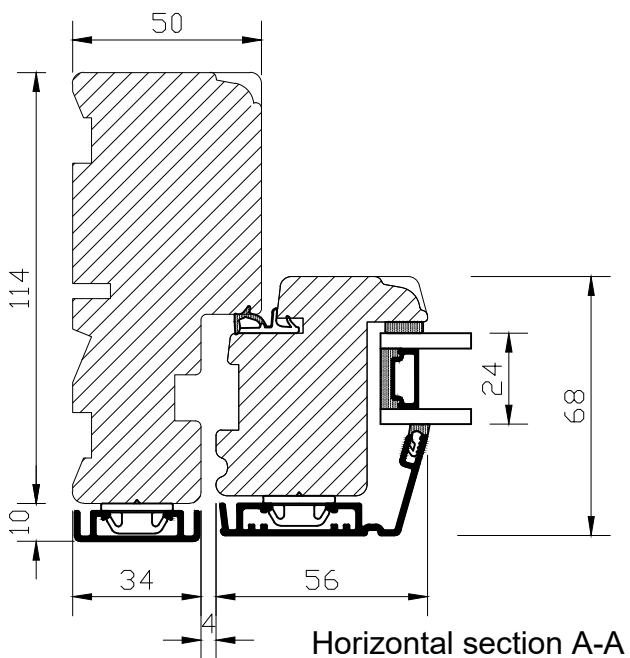
A



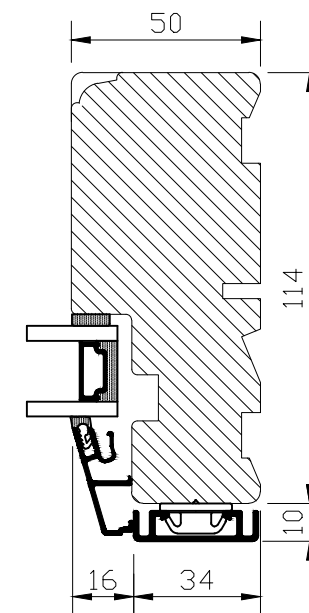
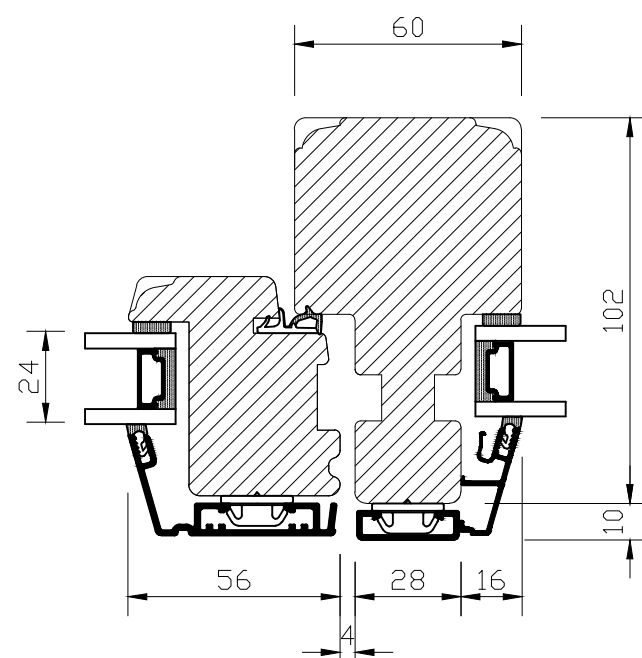
Vertical section B-B
Without window board groove.





Vertical section C-C
With window board groove.



Horizontal section A-A



-  CLASSIC line Profile
 -  SOFT line Profile
- System HORIZONT



CARLSON
 Scandinavian Windows & Doors
 Unit G11-G12, Calmount Park, Ballymount, Dublin. D12 F9P1
 www.carlson.ie email: info@carlson.ie Tel: 01 462 5777

Drawing Title: Double glazed, alu-clad, top guided & fixed
 Scale: 1:2@A3 Dwg No: TG-2 Drawn By: ZB