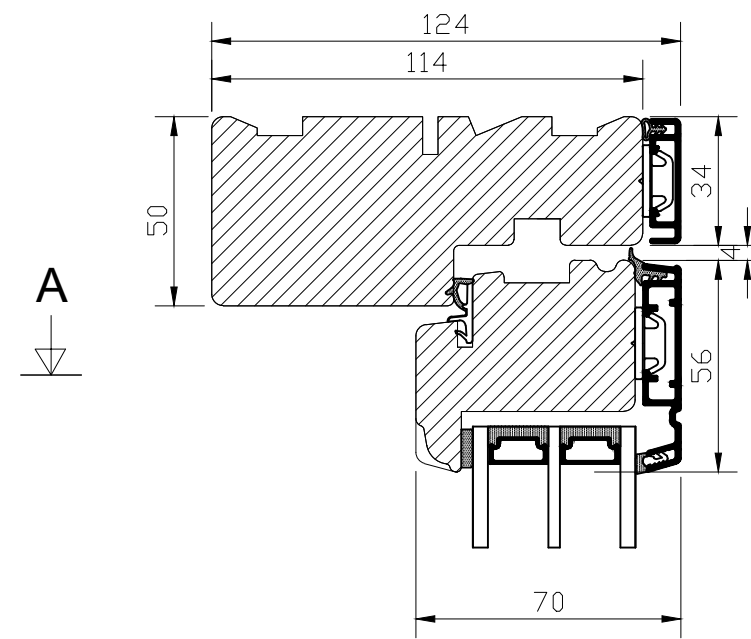
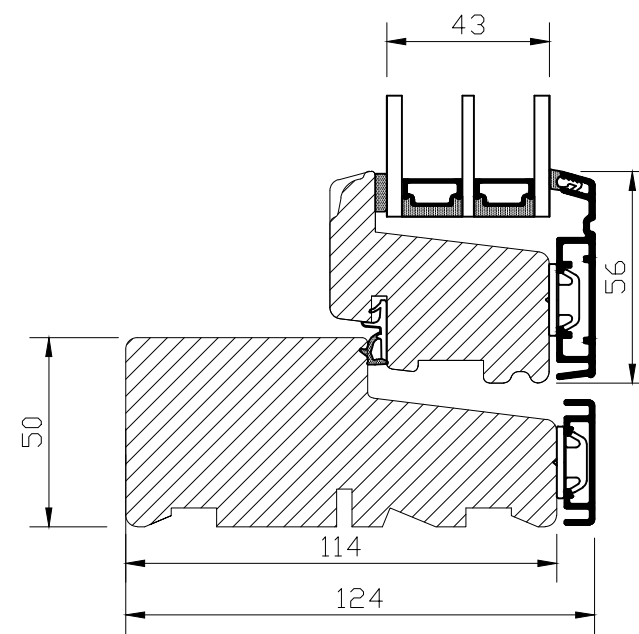
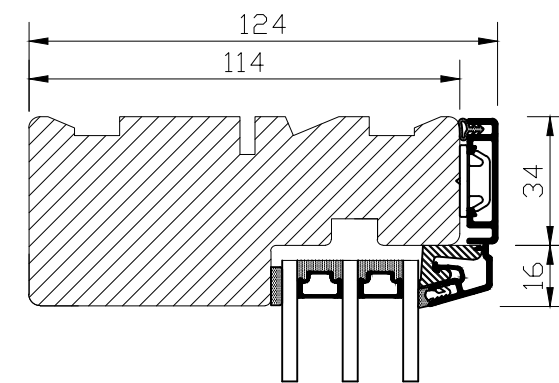


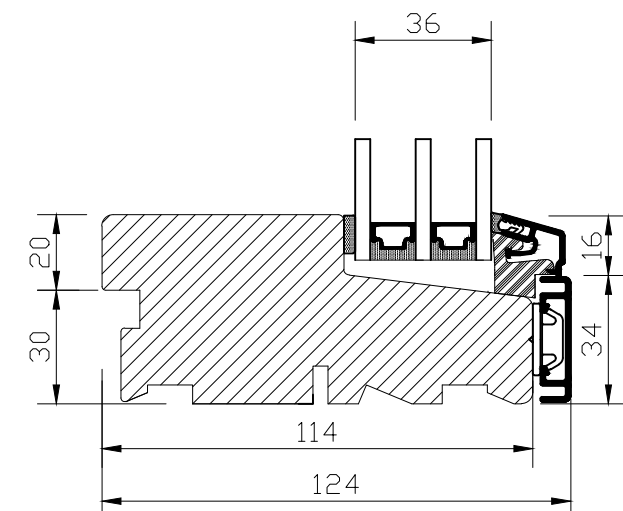
Window elevation (not to scale)



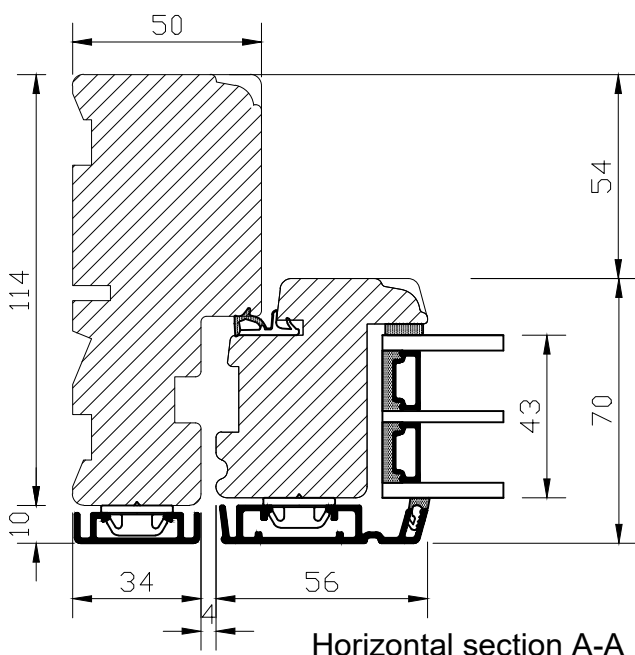
A



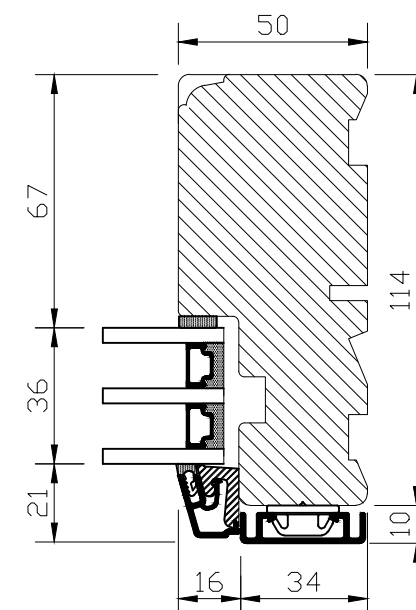
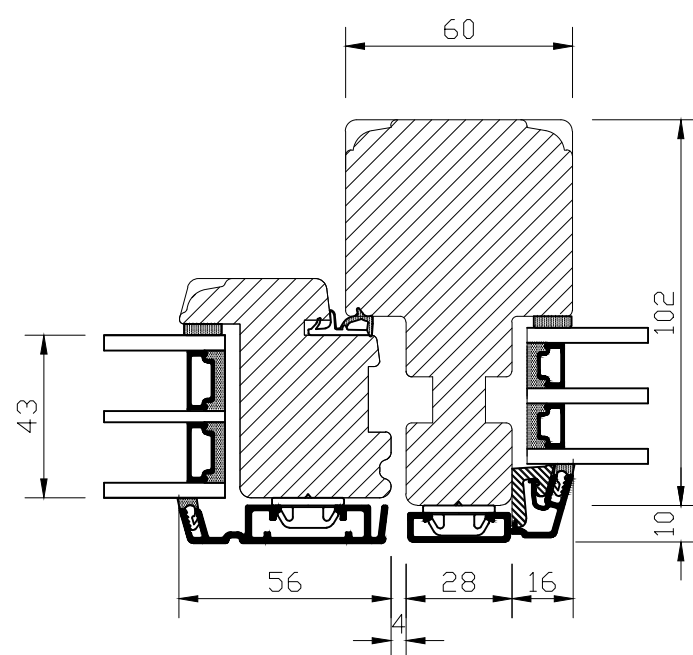
Vertical section B-B  
Without window board groove.





Vertical section C-C  
With window board groove.



Horizontal section A-A



-  CLASSIC line Profile
  -  SOFT line Profile
- System HORIZONT



**CARLSON**  
 Scandinavian Windows & Doors  
 Unit G11-G12, Calmount Park, Ballymount, Dublin. D12 F9P1  
 www.carlson.ie email: info@carlson.ie Tel: 01 462 5777

Drawing Title: Triple glazed, alu-clad, side guided & fixed  
 Scale: 1:2@A3 Dwg No: SG-03 Drawn By: ZB