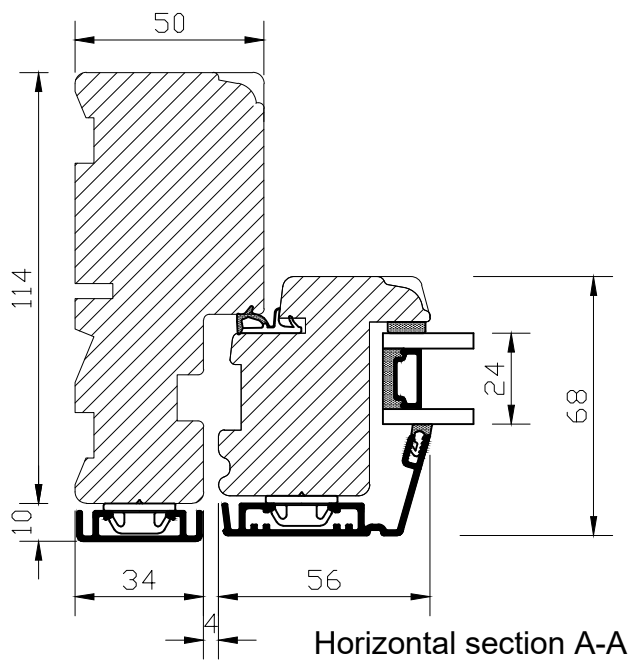
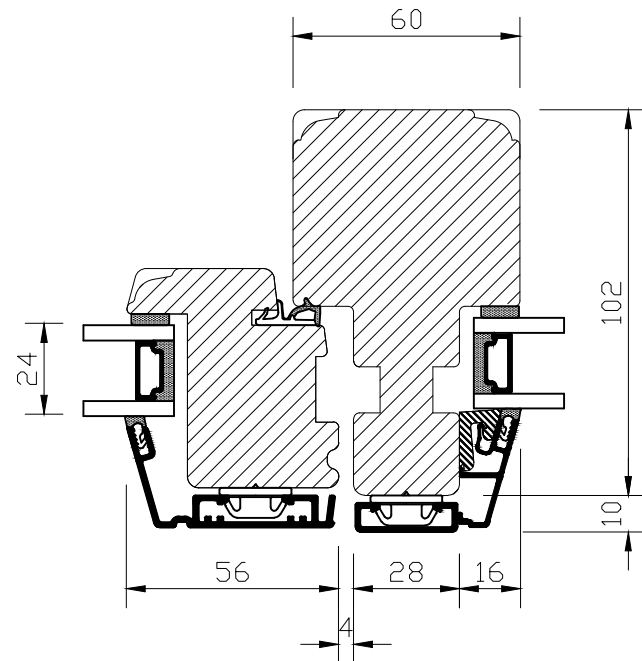


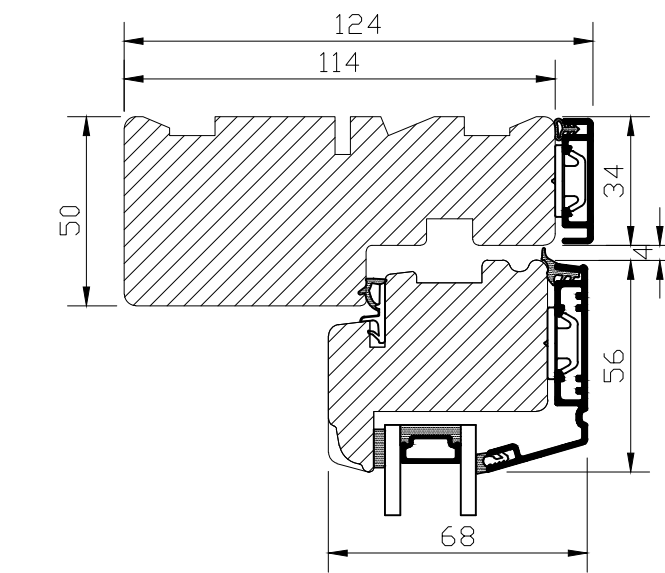
Window elevation (not to scale)



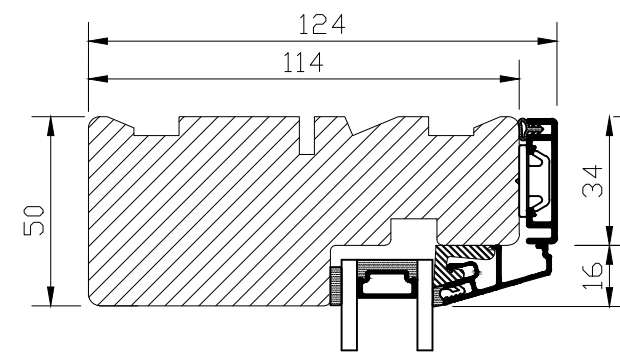
Horizontal section A-A



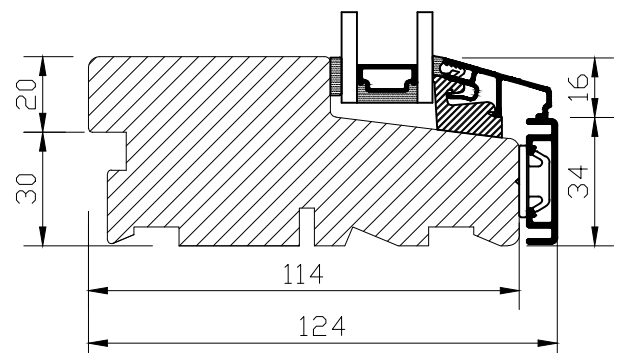
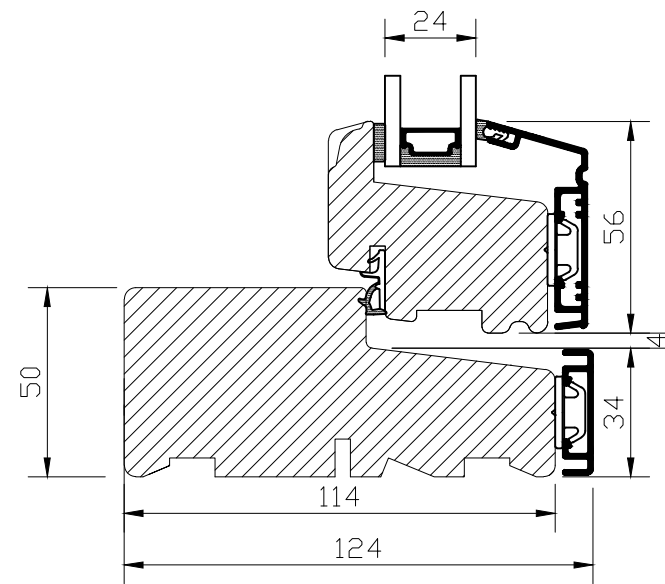
A





Vertical section B-B  
Without window board groove.



Vertical section C-C  
With window board groove.



System HORIZONT

-  CLASSIC line Profile
-  SOFT line Profile

**CARLSON**  
 Scandinavian Windows & Doors  
 Unit G11-G12, Calmount Park, Ballymount, Dublin. D12 F9P1  
 www.carlson.ie email: info@carlson.ie Tel: 01 462 5777

Drawing Title: Double glazed, alu-clad, side guided & fixed  
 Scale: 1:2@A3 Dwg No: SG-2 Drawn By: ZB