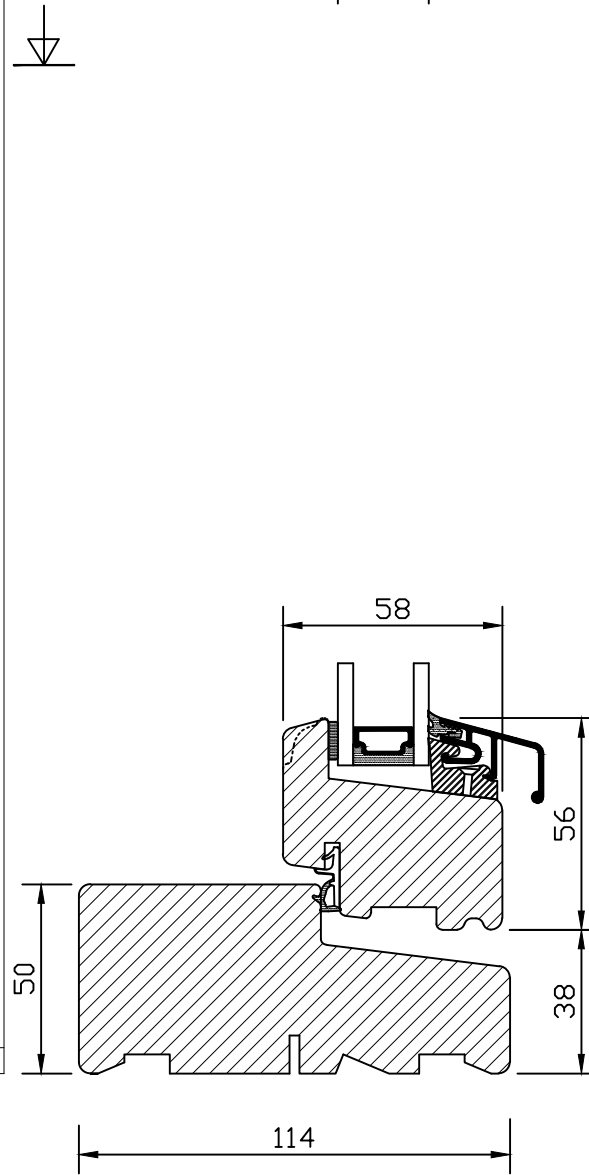
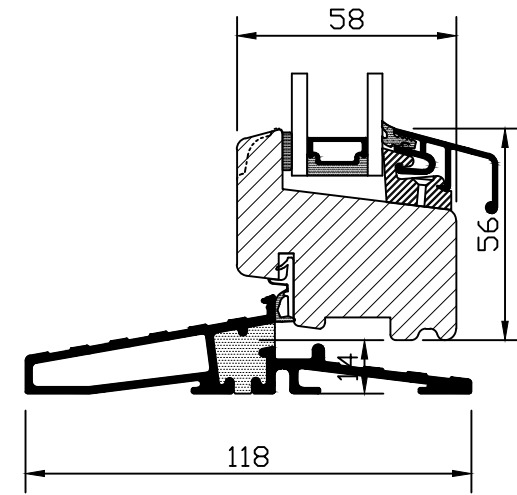


B

Window Door elevation (not to scale)



Vertical section B-B  
option with timber threshold



Vertical section B-B  
option with alu threshold

